

8031 MiniPier Installation



8031 MiniPier is designed for the following iOptron mount:

- CEM40
- HAE43
- HEM44
- GEM45
- iEQ30/iEQ30 Pro (with a special alignment peg)

It will fit onto the following iOptron tripod/tri-pier:

- CEM40/GEM45 tripod



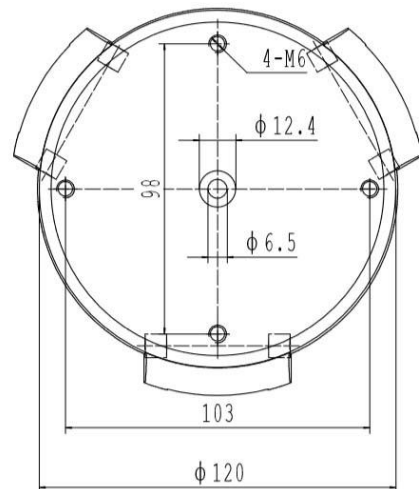
- Carbon Fiber Tripod



- Tri-pier



- Any tripod with 2XM6 threaded holes separated by 103mm.



Step 1: Attach the MiniPier onto a tripod, with two holes on the bottom aligned to the threaded holes separated by 103mm, where a mount was secured by AZI locking screws. There is a hole on the minipier base for the alignment peg. You can leave it on the tripod top.



Step 2: Tighten two M6 screws to secure the minipier onto the tripod.



Step 3: Thread the alignment peg on top of the minipier.

